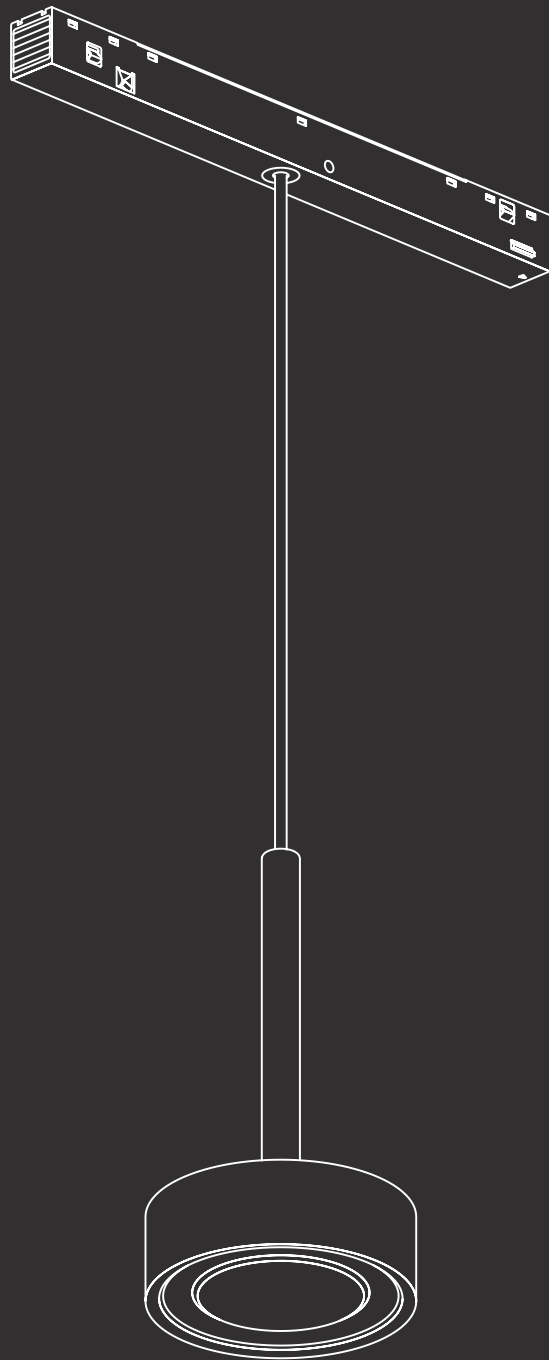


# FLOW SYSTEM / HANGING TOMI




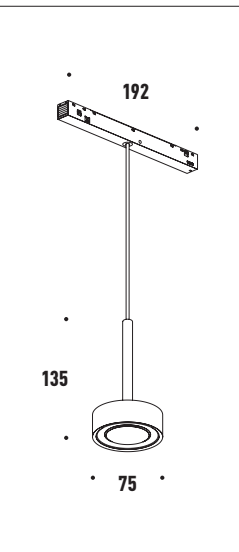
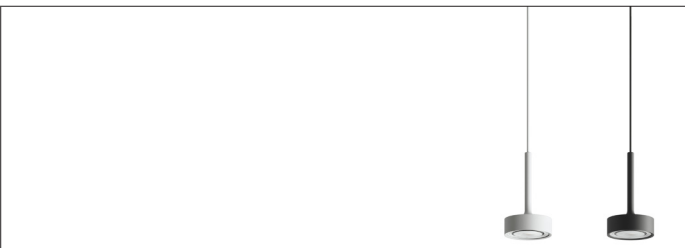




Clight



# Hanging TOMI

- Clean minimal design.
- Diffused light effect.
- Available in different finishes.
- Integration with Low Voltage.
- DALI version available.
- CRI 90.

## OPTIONS

											
										<p style="text-align: center;"><b>Total White - 15483</b></p> <p style="text-align: center;"><b>Total Black - 15484</b></p>	
<h3>Hanging TOMI</h3>			<p><b>Control</b></p>			<p><b>Dimming</b></p>					
<p><b>lm</b></p>	<p><b>K</b></p>	<p><b>W</b></p>	<p><b>Control</b></p>	<p><b>Lens</b></p>	<p>0-10V* 15278</p>	<p>Brushed Gold*</p>	<p>Brushed Rose Gold*</p>	<p>Brushed Chrome*</p>	<p>Matt White*</p>		
<p>624</p>	<p>3000</p>	<p>7</p>	<p>On-Off</p>	<p>49°</p>	<p>DALI* 15279</p>	<p>15348</p>	<p>15350</p>	<p>15352</p>	<p>15354</p>		
					<p>15°* 15346</p>						

\* not included

**HEADQUARTER**

Beit Ha-Defus St. 12  
9548315 Jerusalem  
Israel

**SHOWROOM**

Hatnufa 7 St.  
9342207 Jerusalem  
Israel

**LOGISTIC CENTER**

Tsela ha-Har St. 47  
7178127 Modein  
Israel

T +972 (2) 6727811/2  
F +972 (2) 6727813

office@clight-led.com  
export@clight-led.com

# Clight

by **Cabasso Group**

www.**clight-led**.com