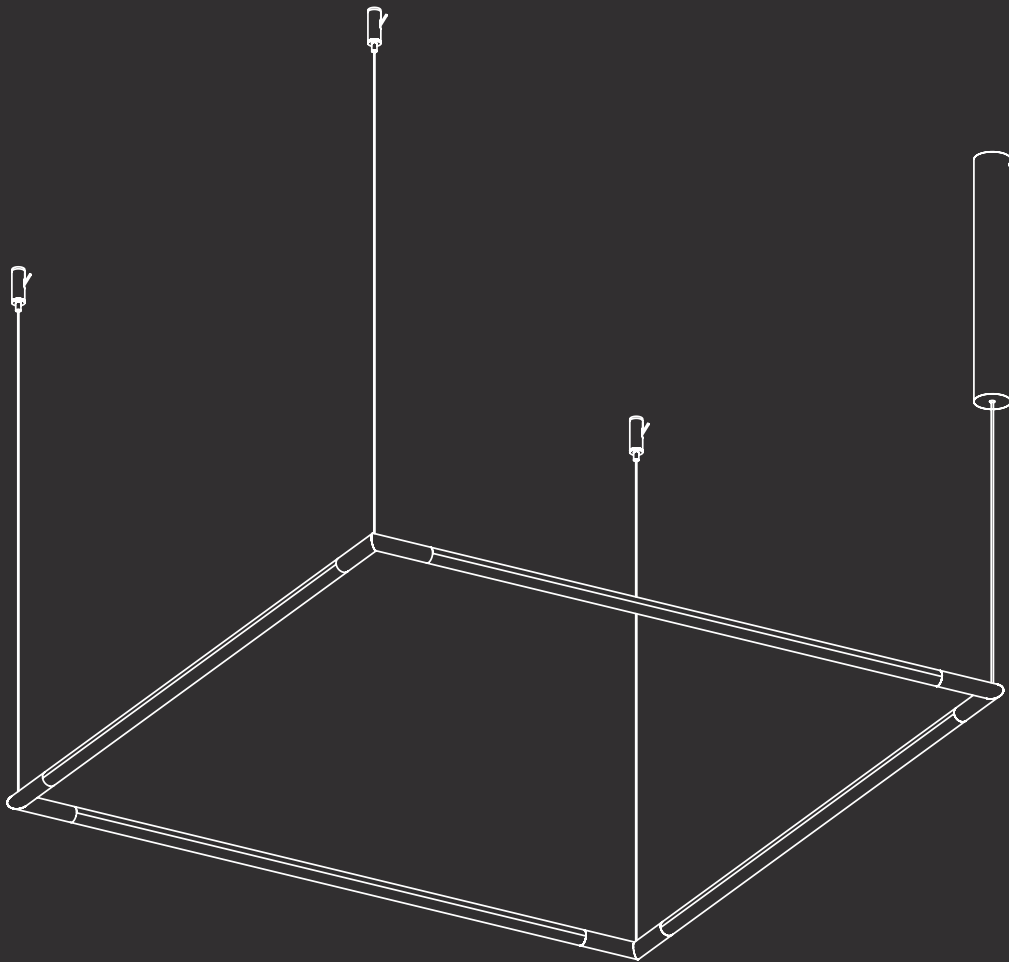


BRASS SYSTEM / SQUARE



Clight



SQUARE 60

DIMENSIONS

670mm (w) 670mm (d)

ELECTRICAL

Power: 5 Watt x4
 Lumens: 330 Lumens x4
 48 V LED
 3000 Kelvin
 90 CRI
 IP20

MATERIAL

Brass

FINISHES

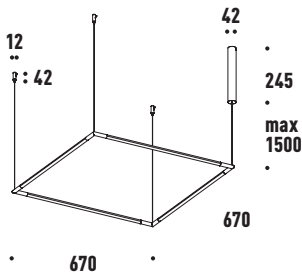
Brushed Brass
 Brushed Black

DIMMING

0-10 V*
 DALI*

COMPONENTS

15493/15433/15463
 15441/15470
 15431/15461 (4 pcs)



120

DIMENSIONS

1240mm (w) 1240mm (d)

ELECTRICAL

Power: 10 Watt x4
 Lumens: 792 Lumens x4
 48 V LED
 3000 Kelvin
 90 CRI
 IP20

MATERIAL

Brass

FINISHES

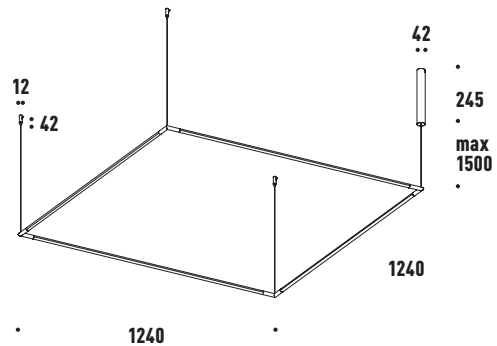
Brushed Brass
 Brushed Black

DIMMING

0-10 V*
 DALI*

COMPONENTS

15493/15433/15463
 15441/15470
 15432/15462 (4 pcs)



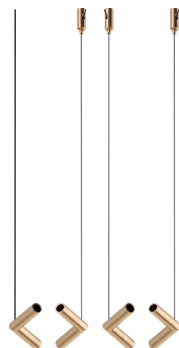
COMPONENTS (required for installation)



Recessed Kit with Driver
15493



Surface Kit with 48V 60W Driver
15433 (Brass)
15463 (Black)



Square Kit
15441 (Brass)
15470 (Black)



Line 60
15431 (Brass)
15461 (Black)



Line 120
15432 (Brass)
15462 (Black)

* Optional

HEADQUARTER

Hatnufa 7 St.
9342207 Jerusalem
Israel

LOGISTIC CENTER

Tsela ha-Har St. 47
7178127 Modein
Israel

T +972 (2) 6727811/2

F +972 (2) 6727813

office@clight-led.com
export@clight-led.com

Clight

by **Cabasso Group**