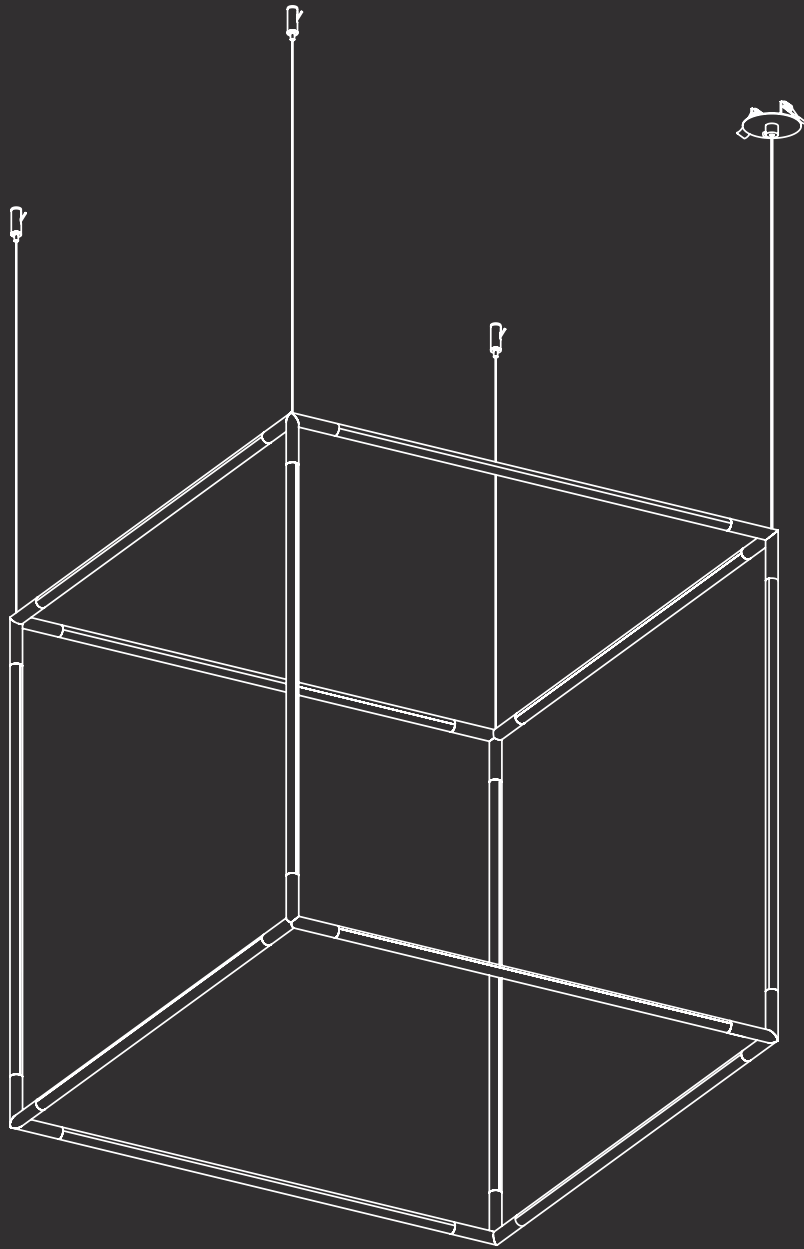
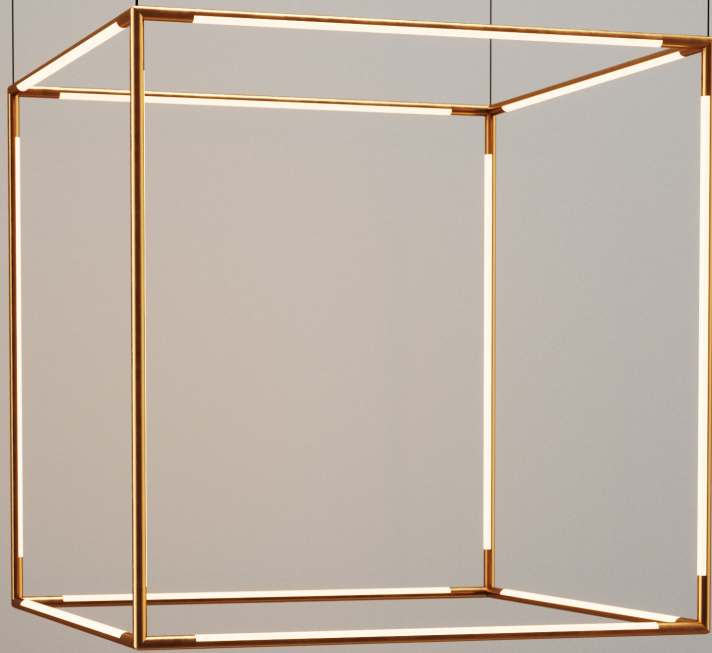


BRASS SYSTEM / CUBE



Clight



CUBE 60

DIMENSIONS

685mm (w) 685mm (d)
685mm (h)

ELECTRICAL

Power: 5 Watt x12
Lumens: 330 Lumens x12
48 V LED
3000 Kelvin
90 CRI
IP20

MATERIAL

Brass

FINISHES

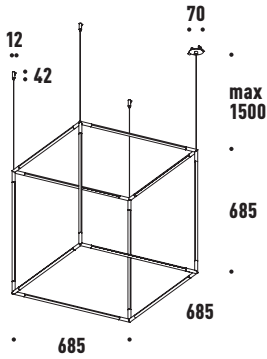
Brushed Brass
Brushed Black

DIMMING

0-10 V*
DALI*

COMPONENTS

15493
15438/15467
15431/16461 (12 pcs)



120

DIMENSIONS

1240mm (w) 1240mm (d)
1240mm (h)

ELECTRICAL

Power: 10 Watt x12
Lumens: 792 Lumens x12
48 V LED
3000 Kelvin
90 CRI
IP20

MATERIAL

Brass

FINISHES

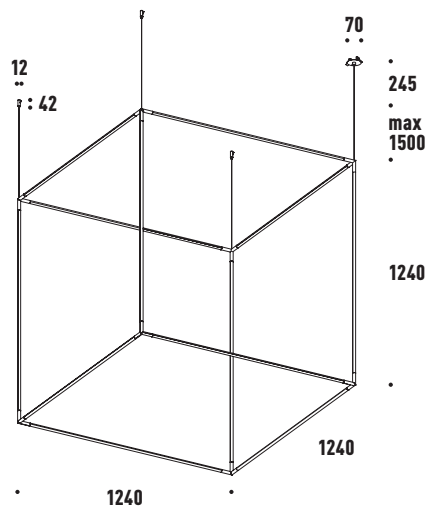
Brushed Brass
Brushed Black

DIMMING

0-10 V*
DALI*

COMPONENTS

15493
15438/15467
15432/15462 (12 pcs)



COMPONENTS (required for installation)

60

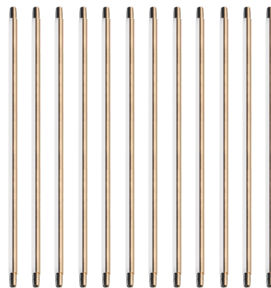
120



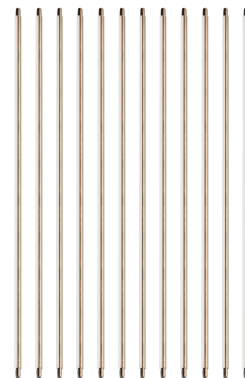
**Recessed Kit
with Driver**
15493



Cube Kit
15438 (Brass)
15467 (Black)



Line 60
15431 (Brass)
15461 (Black)



Line 120
15432 (Brass)
15462 (Black)

* Optional

HEADQUARTER

Hatnufa 7 St.
9342207 Jerusalem
Israel

LOGISTIC CENTER

Tsela ha-Har St. 47
7178127 Modein
Israel

T +972 (2) 6727811/2

F +972 (2) 6727813

office@clight-led.com
export@clight-led.com

Clight

by **Cabasso Group**