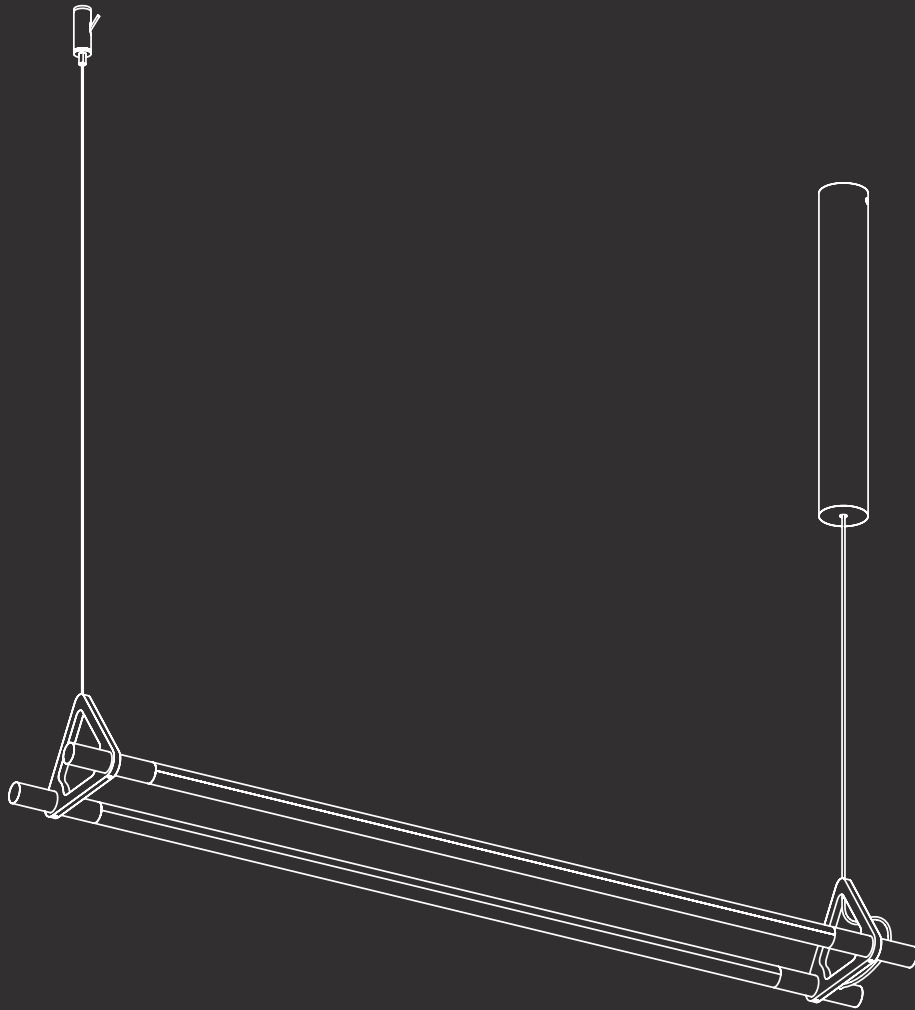


# BRASS SYSTEM / 2-LINEAR



Clight



# 2-LINEAR 60

## DIMENSIONS

685mm (w) 96mm (d)  
77mm (h)

## ELECTRICAL

Power: 5 Watt x2  
Lumens: 330 Lumens x2  
48 V LED  
3000 Kelvin  
90 CRI  
IP20

## MATERIAL

Brass

## FINISHES

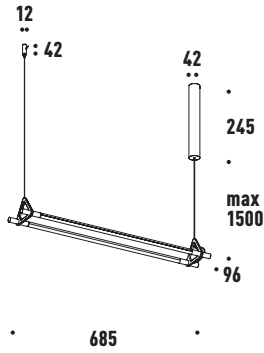
Brushed Brass  
Brushed Black

## DIMMING

0-10 V\*  
DALI\*

## COMPONENTS

15493/15433/15463  
15437/15492  
15494/15495  
15431/15461



# 120

## DIMENSIONS

1240mm (w) 96mm (d)  
77mm (h)

## ELECTRICAL

Power: 10 Watt x2  
Lumens: 792 Lumens x2  
48 V LED  
3000 Kelvin  
90 CRI  
IP20

## MATERIAL

Brass

## FINISHES

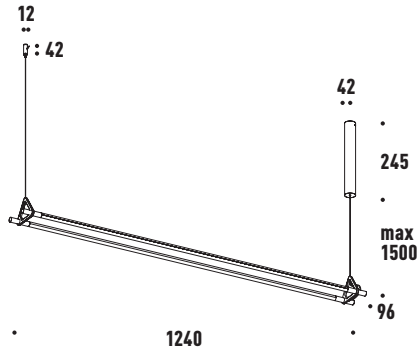
Brushed Brass  
Brushed Black

## DIMMING

0-10 V\*  
DALI\*

## COMPONENTS

15493/15433/15463  
15437/15492  
15494/15495  
15432/15462



## COMPONENTS (required for installation)

				60	120
<b>Recessed Kit with Driver</b> 15493	<b>Surface Kit with 48V 60W Driver</b> 15433 (Brass) 15463 (Black)	<b>2-Linear Kit</b> 15437 (Brass) 15492 (Black)	<b>Extension Kit</b> 15494 (Brass) 15495 (Black)	<b>Line 60</b> 15431 (Brass) 15461 (Black)	<b>Line 120</b> 15432 (Brass) 15462 (Black)

\* Optional

**HEADQUARTER**

Hatnufa 7 St.  
9342207 Jerusalem  
Israel

**LOGISTIC CENTER**

Tsela ha-Har St. 47  
7178127 Modein  
Israel

T +972 (2) 6727811/2

F +972 (2) 6727813

office@clight-led.com  
export@clight-led.com

**Clight**

by **Cabasso Group**