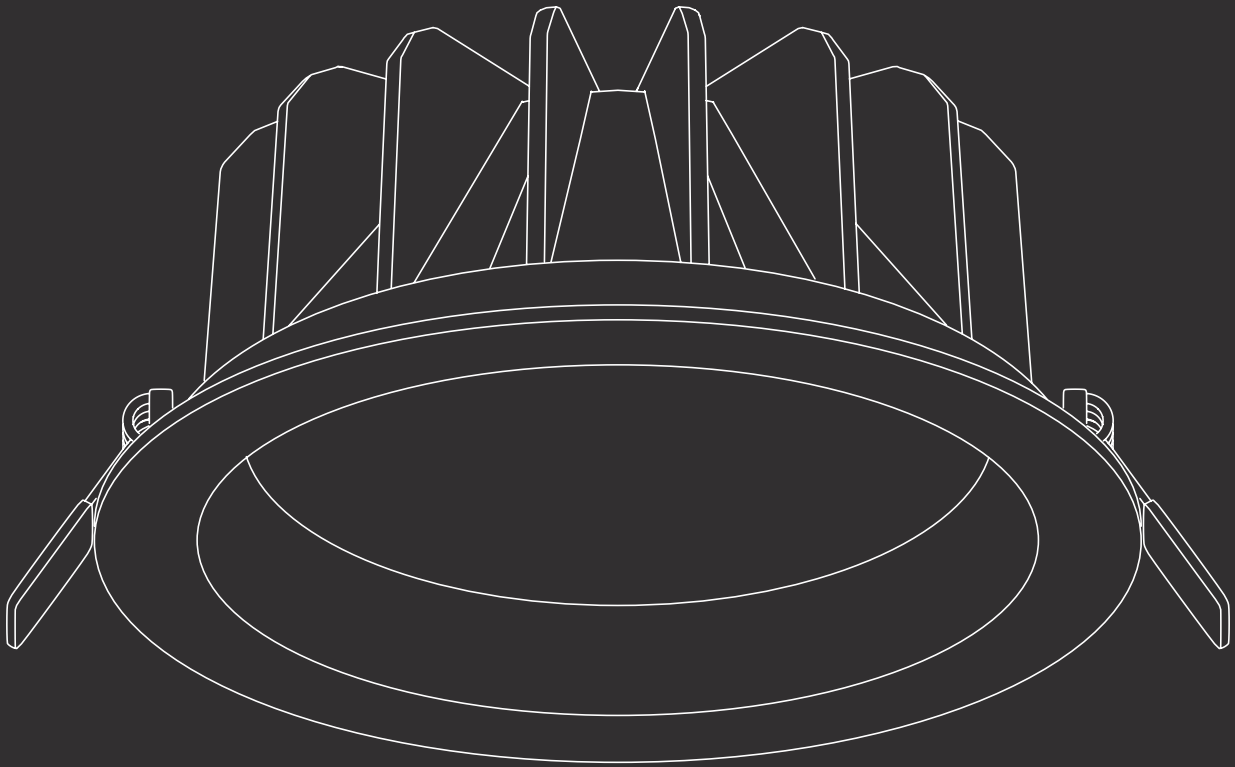


COB DOWNLIGHTS / PRO



Clight

PRO



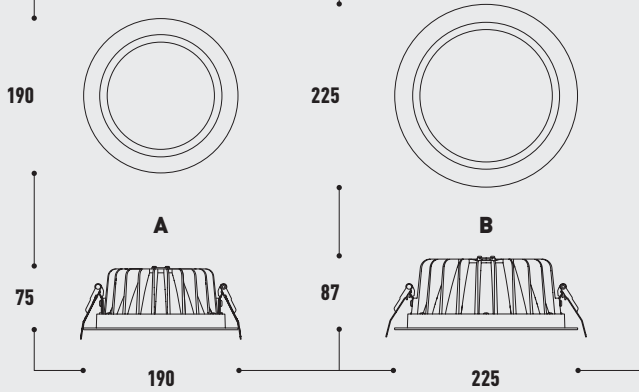
COB Downlight

The PRO family of lights is a cutting-edge lighting solution for general lighting needs. With unparalleled brightness and efficiency, they ensure optimal illumination in any environment. These lights provide a wide range of colors with minimal variation, delivering consistent and uniform lighting for a visually pleasing experience.

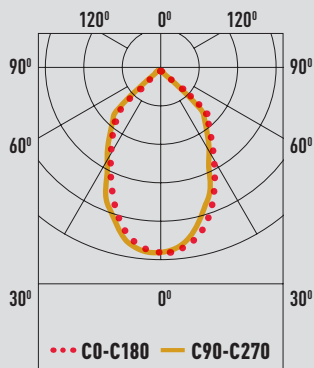


- Integrated COB LED
- Anti glare effect
- CRI 80

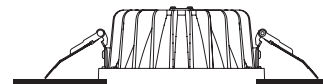




LED	lm	K	W	INPUT	OPTIC	CUT OUT mm	Type	Colour	Item no.
COB	3600	4000	33	200-240V	60°	180	A	White	15390
								Black	15391
COB	4600	4000	42	200-240V	60°	215	B	White	15392
								Black	15393



DIAM	LUX	DIST	
1.3 m 1.4 m	2907 lx 3529 lx	1 m	A B
2.7 m 2.7 m	727 lx 882 lx	2 m	
4.0 m 4.1 m	323 lx 392 lx	3 m	
5.3 m 5.4 m	182 lx 221 lx	4 m	



CARTON	Size (L*W*H) cm	PCS	CBM	kg
A	66*46*20.5	10	0.062	NA
B	54.5*51*35	10	0.097	NA

HEADQUARTER

Hatnufa 7 St.
9342207 Jerusalem
Israel

LOGISTIC CENTER

Tsela ha-Har St. 47
7178127 Modein
Israel

T +972 (2) 6727811/2

F +972 (2) 6727813

office@clight-led.com
export@clight-led.com

Clight

by **Cabasso Group**