

low
voltage
system

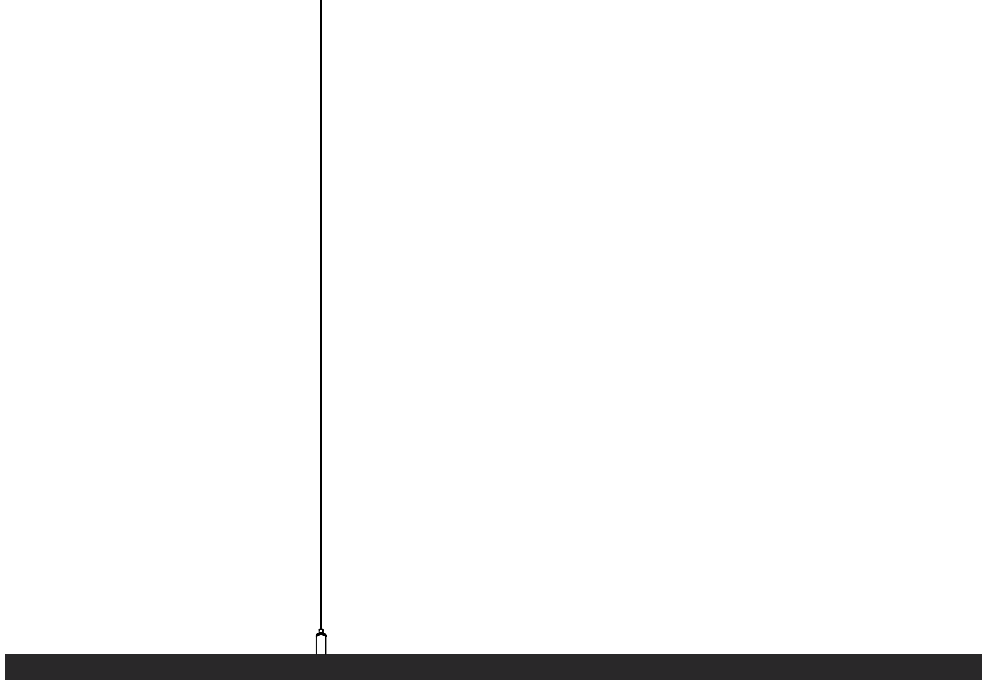
micro

Clight

www.clight-led.com

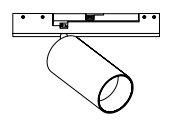
micro
low voltage system





4-7

8-9

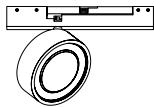


TRACKS

TON

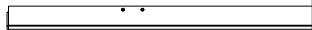


10-11



TOMI

12-13



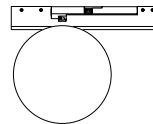
LIGHT STRIPE

14-15



DOTS

16-17



GLASS BALL

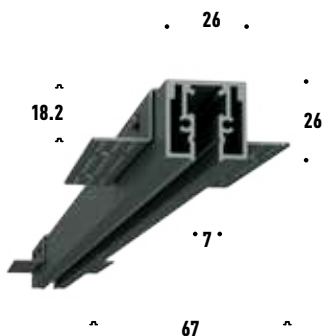
TRACKS



- Low Voltage System.
- Minimal design.
- Different kinds of applications.
- Wide range of accessories.



RECESSED



3m TRACK | 15400
Different Lengths | upon request



"L" CONNECTOR | 15401

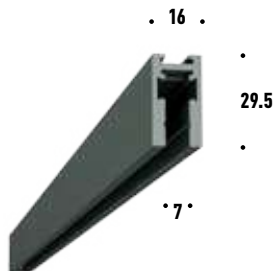


"L" CONNECTOR IN | 15402



"L" CONNECTOR OUT | 15403

SURFACE/SUSPENDED*



3m TRACK | 15423
Different Lengths | upon request



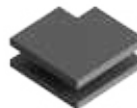
HANGING KIT* Black | 15427



"L" CONNECTOR | 15424



"L" CONNECTOR IN | 15425



"L" CONNECTOR OUT | 15426

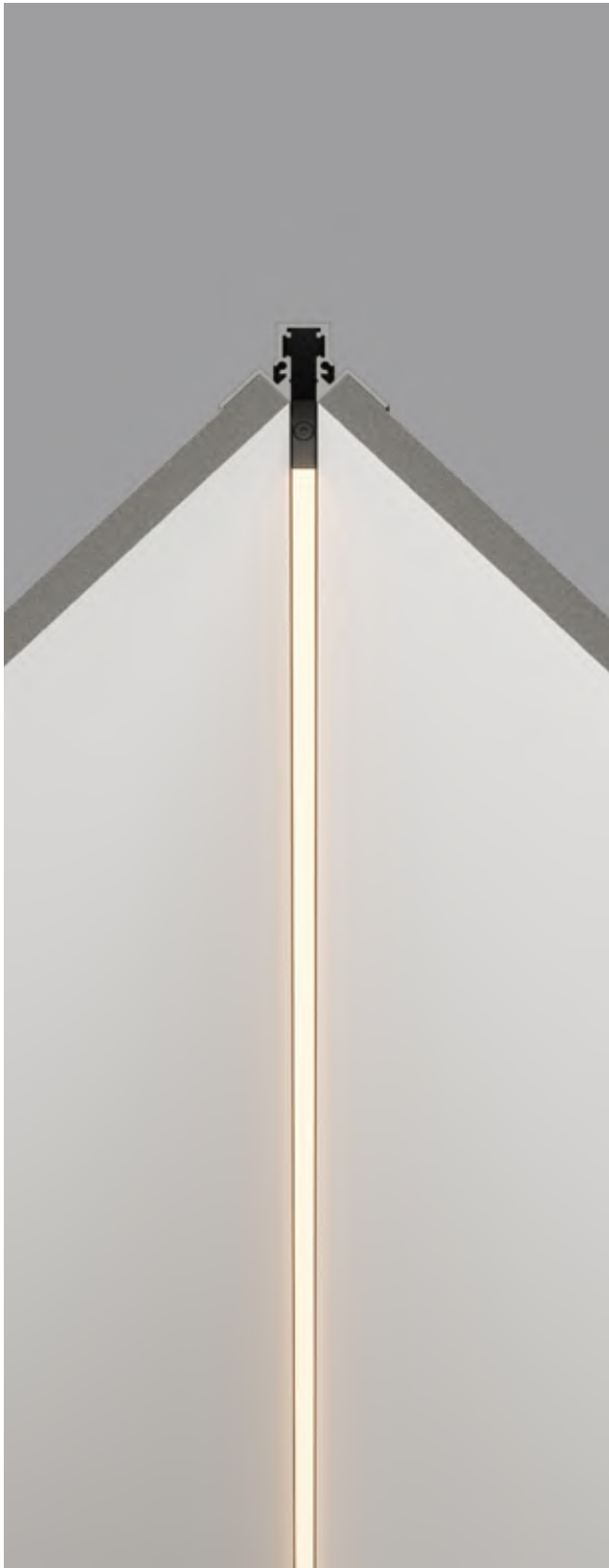


LIVE END | 15407

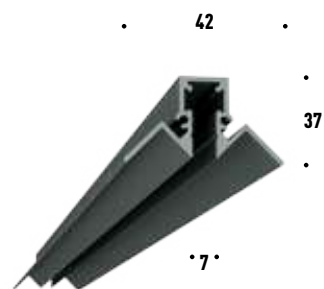


CONNECTOR | 15406

TRACKS WALL TO WALL



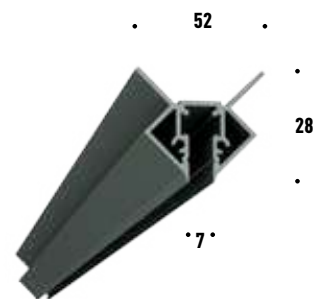
RECESSED - IN



3m TRACK | 15404
Different Lengths | upon request



RECESSED - OUT

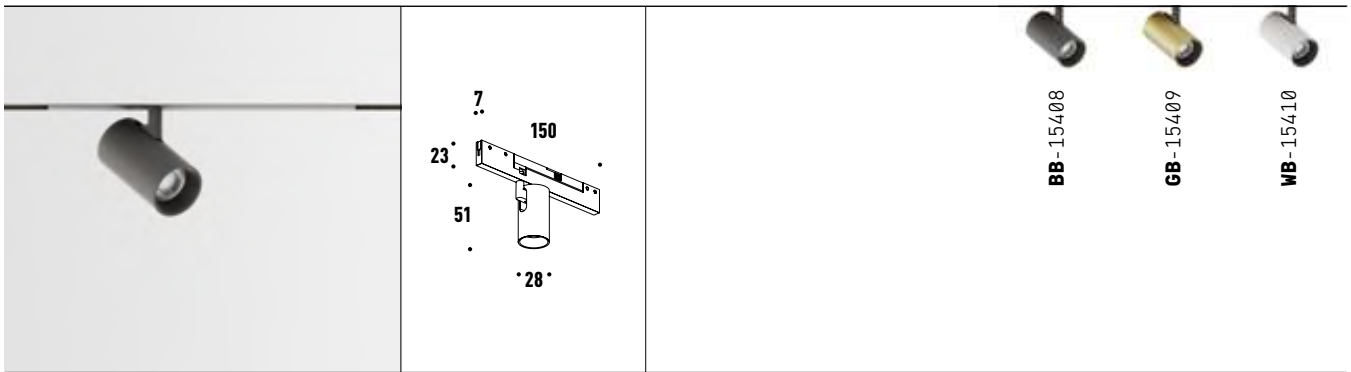


3m TRACK | 15405
Different Lengths | upon request

TON

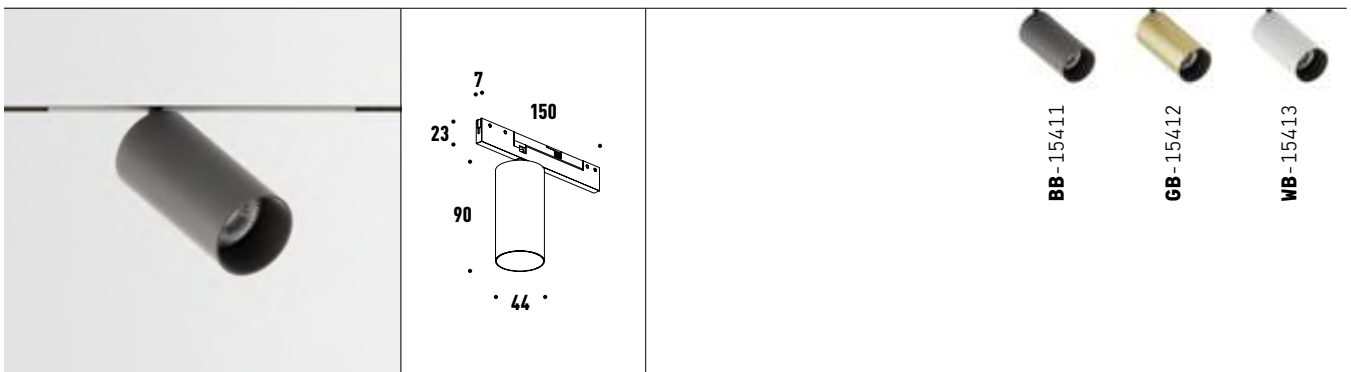


- Excellent optical control.
- Available in different finishes.
- Integration with Low Voltage.
- CRI 90.



TON 5W

| lm | K | W | Control | Lens |
|-----|------|---|---------|------|
| 440 | 3000 | 5 | On-Off | 36° |



TON 15W

| lm | K | W | Control | Lens |
|------|------|----|---------|------|
| 1250 | 3000 | 15 | On-Off | 30° |

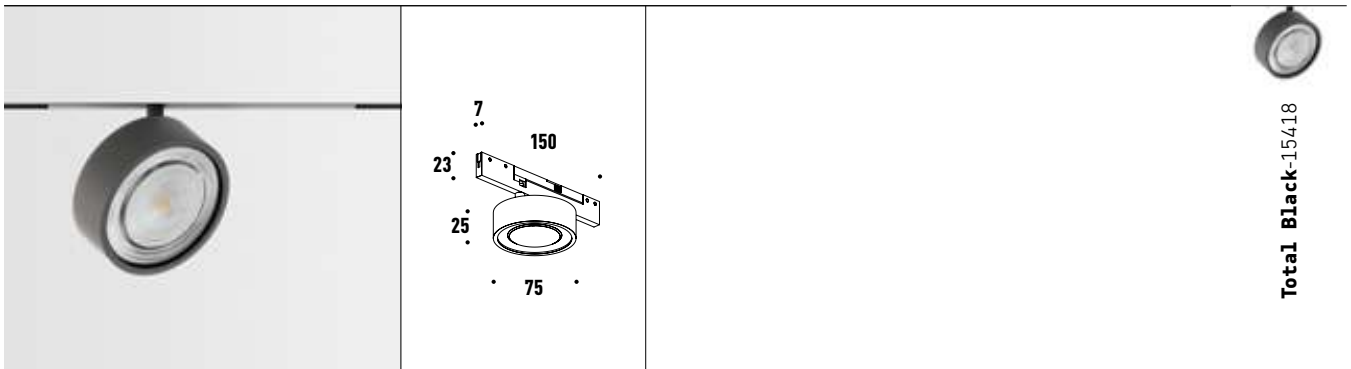
TOMI







- Excellent optical control.
- Available in different finishes.
- Integration with Low Voltage.
- CRI 90.



OPTIONS



TOMI 7W

| lm | K | W | Control | Lens | |  Brushed Gold* 15348 |  Brushed Rose Gold* 15350 |  Brushed Chrome* 15352 |  Matt White* 15354 |
|-----|------|---|---------|------|------------|--|---|--|--|
| 583 | 3000 | 7 | On-Off | 38° | 150* 15346 | | | | |

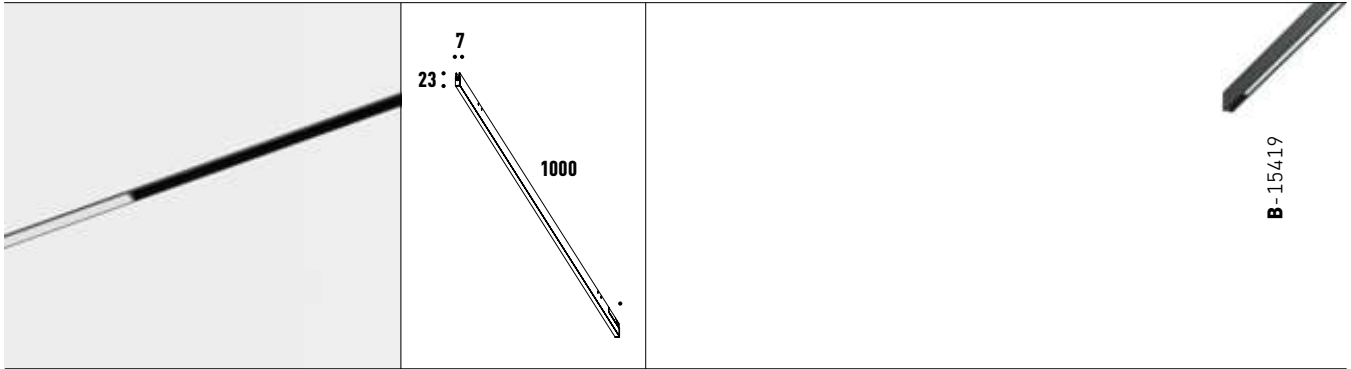
* not included

LIGHT STRIPE



- Clean minimal design.
- Diffused light effect.
- Integration with Low Voltage.

OPTIONS

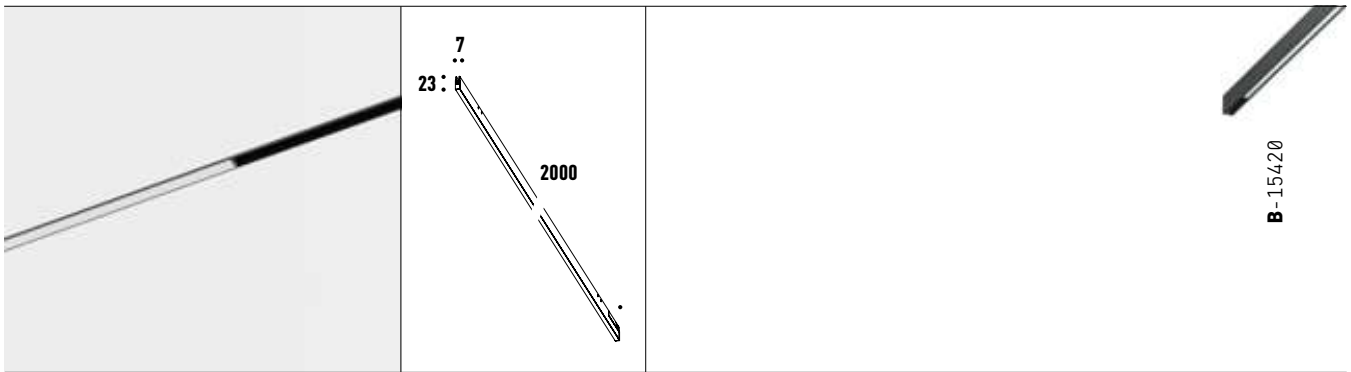


LIGHT STRIPE 100cm

| lm | K | W | Control |
|-----|------|----|---------|
| 290 | 3000 | 10 | On-Off |



B-15419

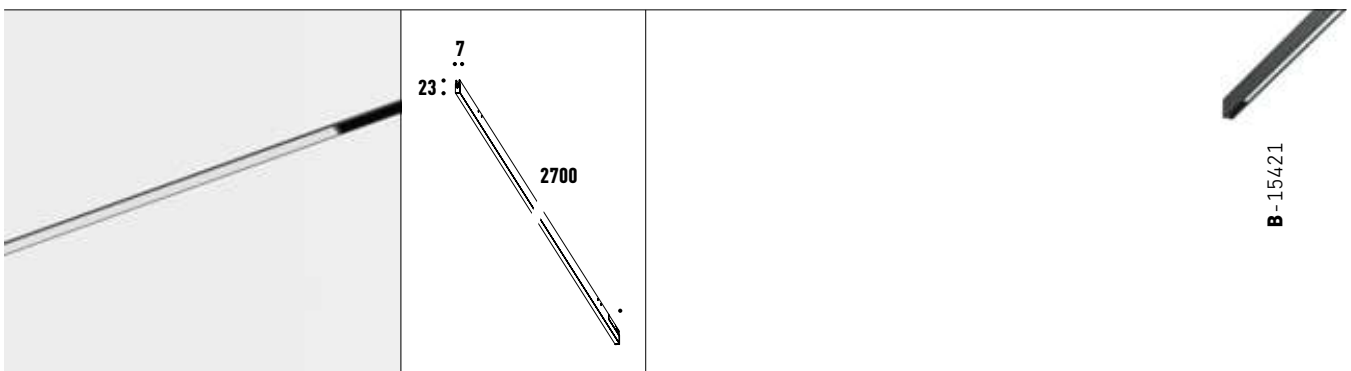


LIGHT STRIPE 200cm

| lm | K | W | Control |
|-----|------|----|---------|
| 523 | 3000 | 20 | On-Off |



B-15420



LIGHT STRIPE 270cm

| lm | K | W | Control |
|-----|------|----|---------|
| 769 | 3000 | 30 | On-Off |

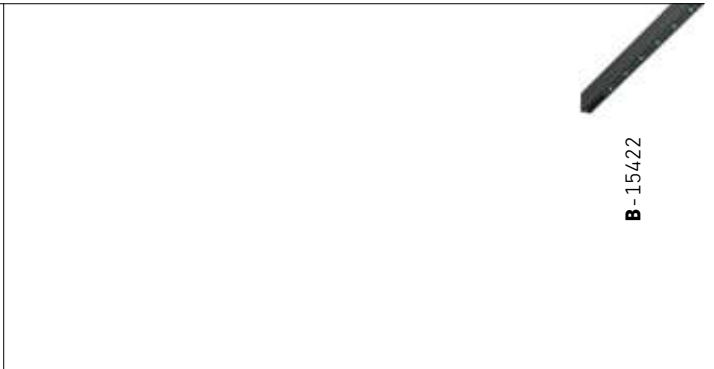
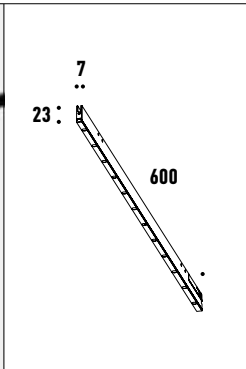


B-15421

DOTS



- Excellent optical control.
- Dark Light effect.
- Integration with Low Voltage.
- CRI 90.



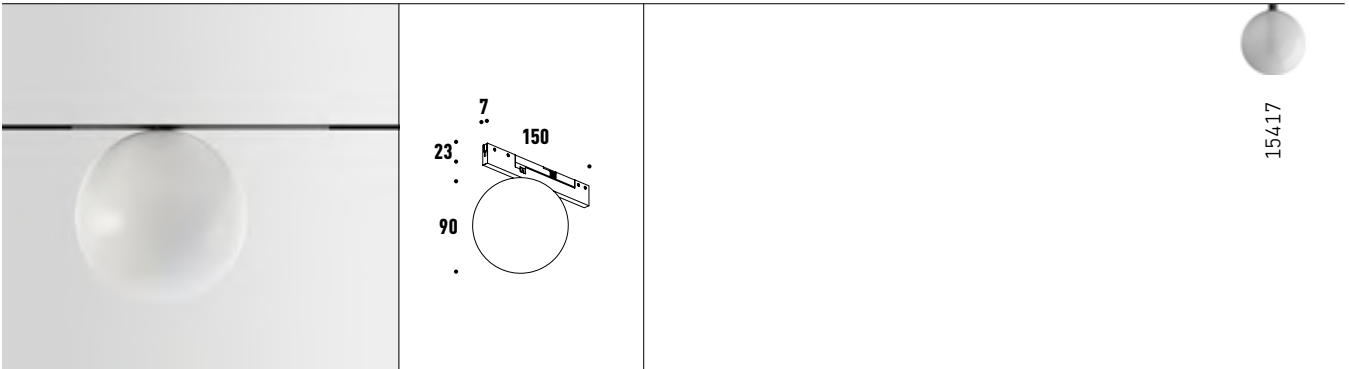
DOTS 60cm

| lm | K | W | Control | Lens |
|-----|------|----|---------|------|
| 448 | 3000 | 10 | On-Off | 76° |

GLASS BALL

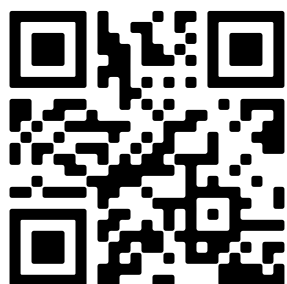
- Clean minimal design.
- Diffused light effect.
- Glass finish.
- Integration with Low Voltage.





GLASS BALL

| lm | K | W | Control | Lens |
|-----|------|---|---------|------|
| 168 | 3000 | 5 | On-Off | 30° |



micro
low voltage system

We Are C-LIGHT

Being a young company, we always focus on the most advanced LED technology.

As all relevant development processes are carried out in house, we can produce custom designs and create new collections followed by the latest trends quickly and flexibly.

DESIGNED in EUROPE MADE in CHINA

C-light factory is located in Zhongshan China. The lowered cost that we achieved is being passed directly on to you.

C-light has been working with European lighting designers to develop custom lights of the highest technical standard. C-light uses the best materials in the market with Hardness Quality Checks for each product. The result is Premium Quality with reasonable price.

HEADQUARTER

Hatnufa 7 St.
9342207 Jerusalem
Israel

LOGISTIC CENTER

Tsela ha-Har St. 47
7178127 Modein
Israel

T +972 (2) 6727811/2
F +972 (2) 6727813

office@clight-led.com
export@clight-led.com

Clight

by **Cabasso Group**