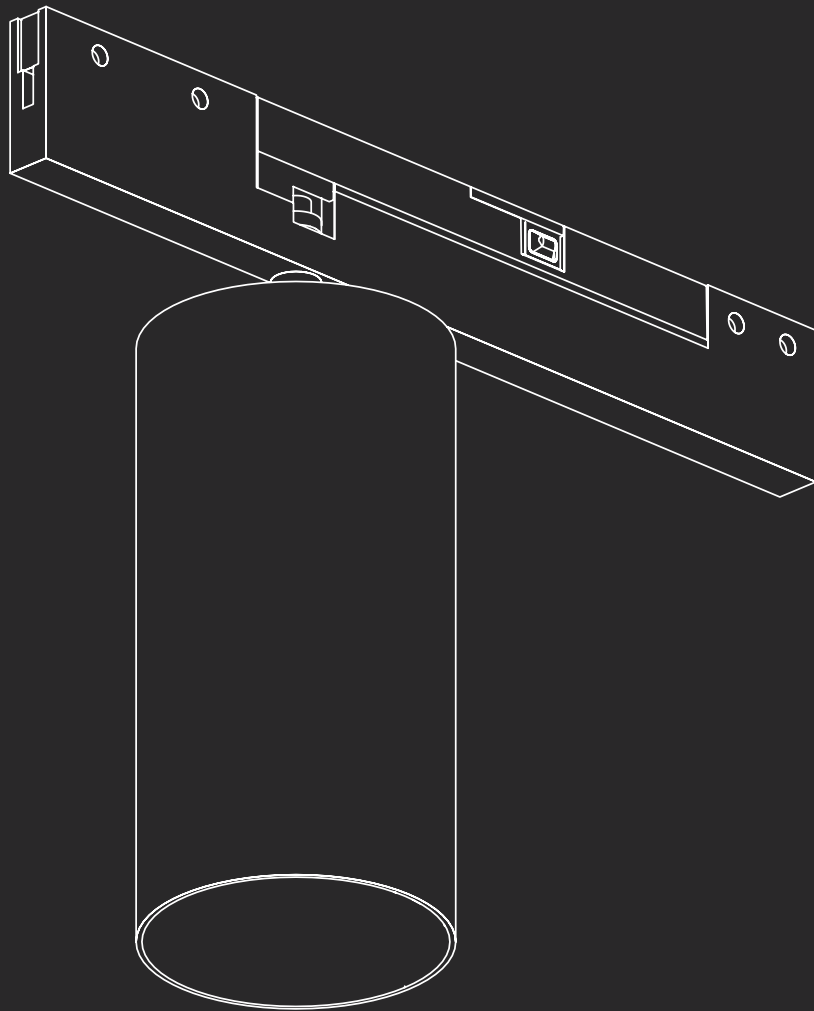


micro SYSTEM / TON

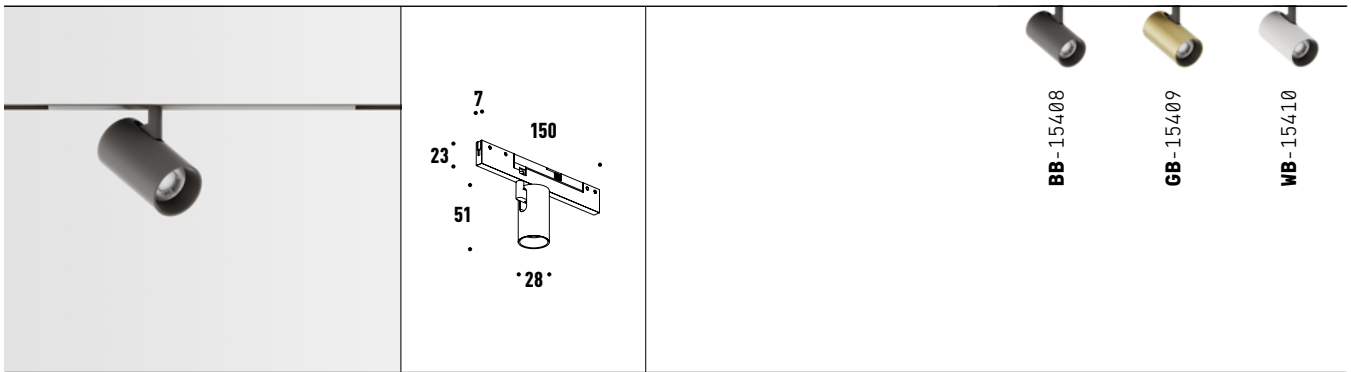


Clight

TON

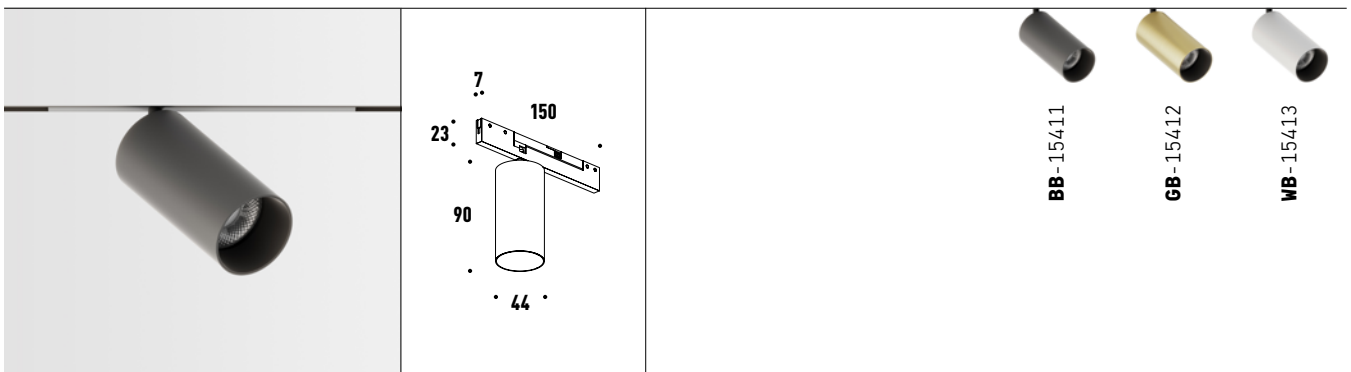


- Excellent optical control.
- Available in different finishes.
- Integration with Low Voltage.
- CRI 90.



TON 5W

lm	K	W	Control	Lens
440	3000	5	On-Off	36°



TON 15W

lm	K	W	Control	Lens
1250	3000	15	On-Off	30°

HEADQUARTER

Hatnufa 7 St.
9342207 Jerusalem
Israel

LOGISTIC CENTER

Tsela ha-Har St. 47
7178127 Modein
Israel

T +972 (2) 6727811/2

F +972 (2) 6727813

office@clight-led.com
export@clight-led.com

Clight

by **Cabasso Group**