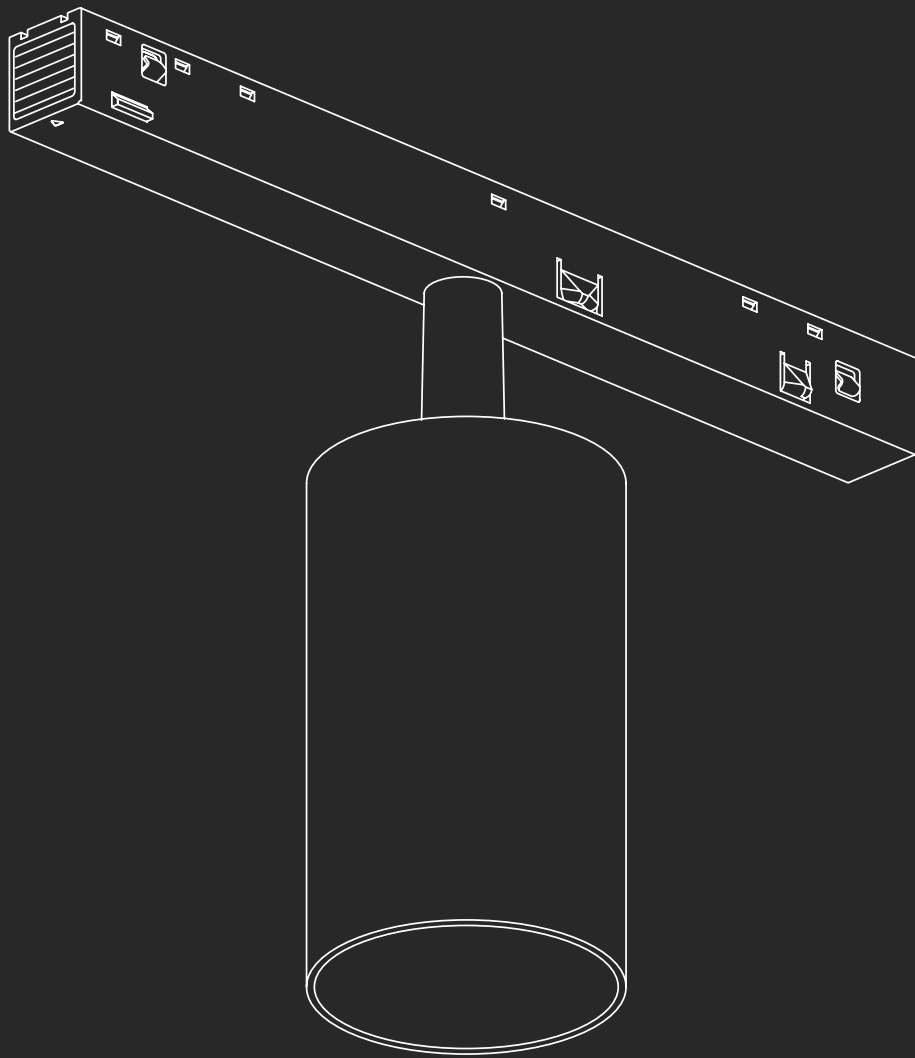


FLOW SYSTEM / TON



Clight

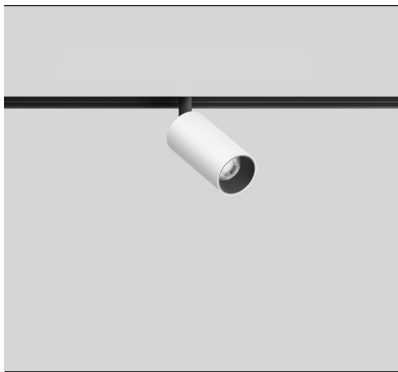
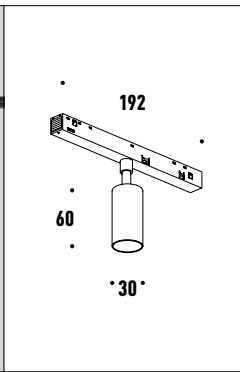
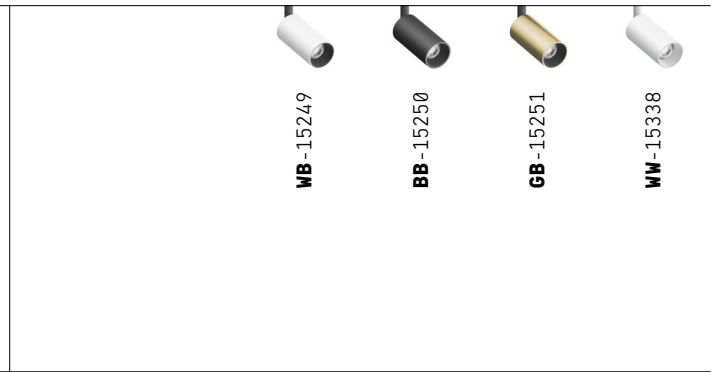
TON



- Excellent optical control.
- Wide range of accessories.
- Integration with Low Voltage.
- DALI version available.
- CRI 90.

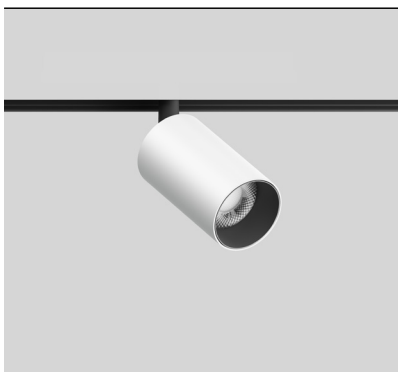
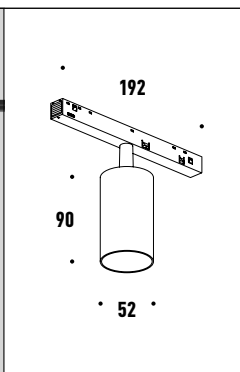
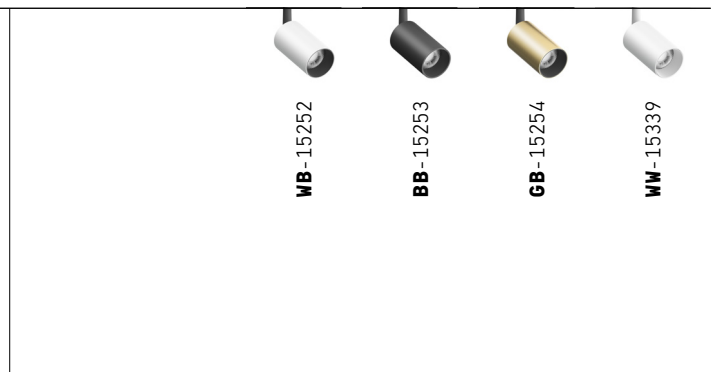


OPTIONS

		
---	---	--

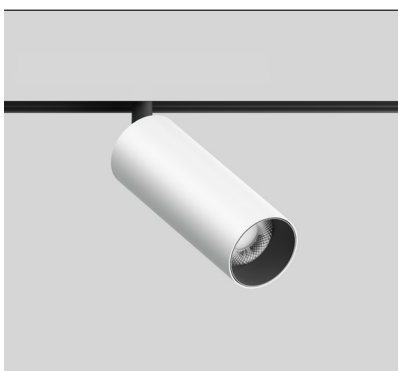
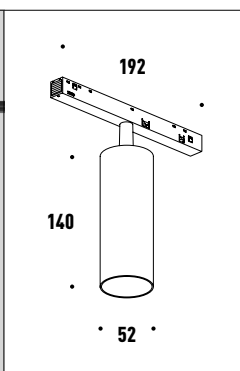
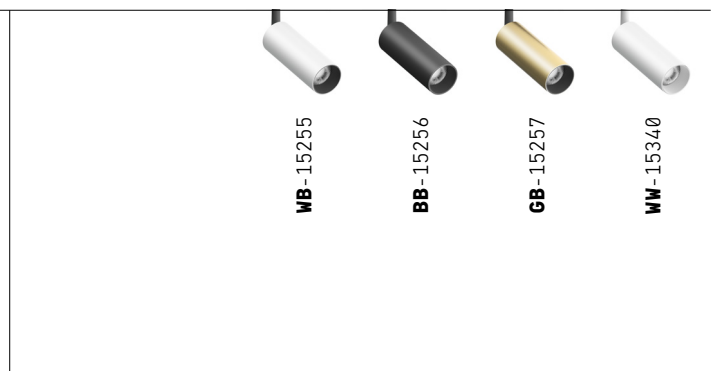
TON 6W

lm	K	W	Control	Lens	Dimming	
420	3000	6	On-Off	24°	0-10V* 15278	
					DALI* 15279	
					36°* 15362	50°* 15363

		
--	--	---

TON 11W

lm	K	W	Control	Lens	Dimming		Options		
925	3000	11	On-Off	30°	0-10V* 15278				
					DALI* 15279				
					15°* 15265	50°* 15266			

		
---	---	--

TON 16W

lm	K	W	Control	Lens	Dimming		Options		
1310	3000	16	On-Off	30°	0-10V* 15278				
					DALI* 15279				
					15°* 15265	50°* 15266			

* not included

HEADQUARTER

Hatnufa 7 St.
9342207 Jerusalem
Israel

LOGISTIC CENTER

Tsela ha-Har St. 47
7178127 Modein
Israel

T +972 (2) 6727811/2

F +972 (2) 6727813

office@clight-led.com
export@clight-led.com

Clight

by **Cabasso Group**