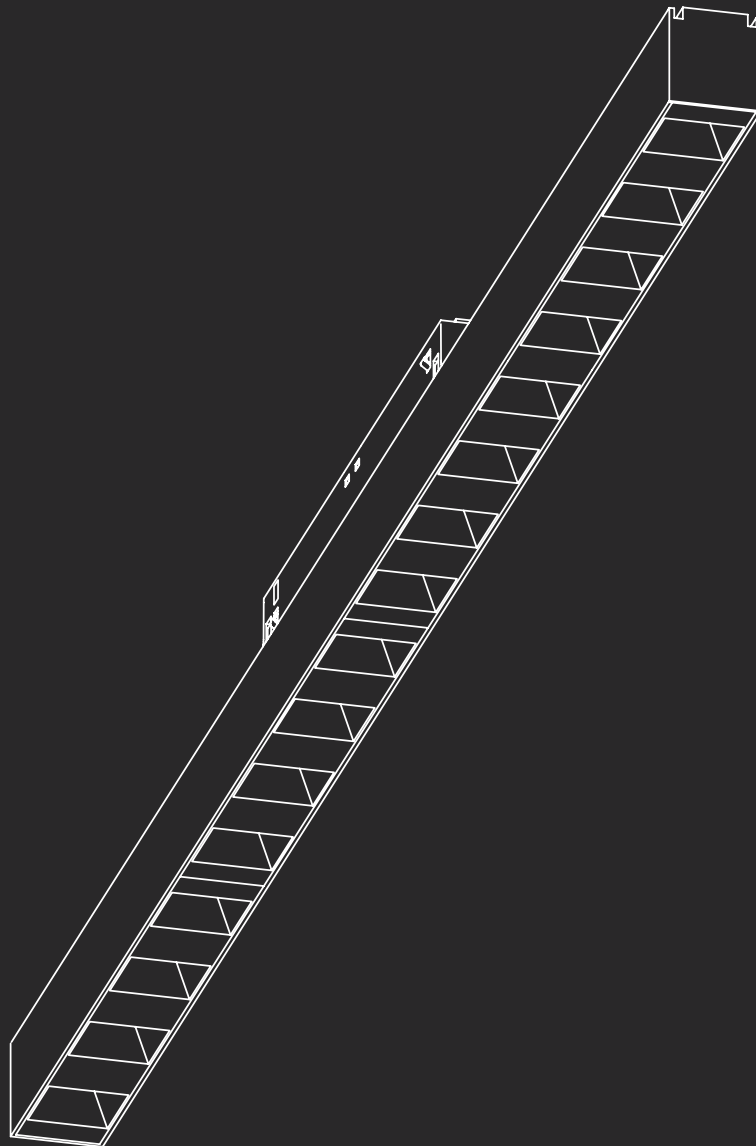


# FLOW SYSTEM / DOTS



Clight

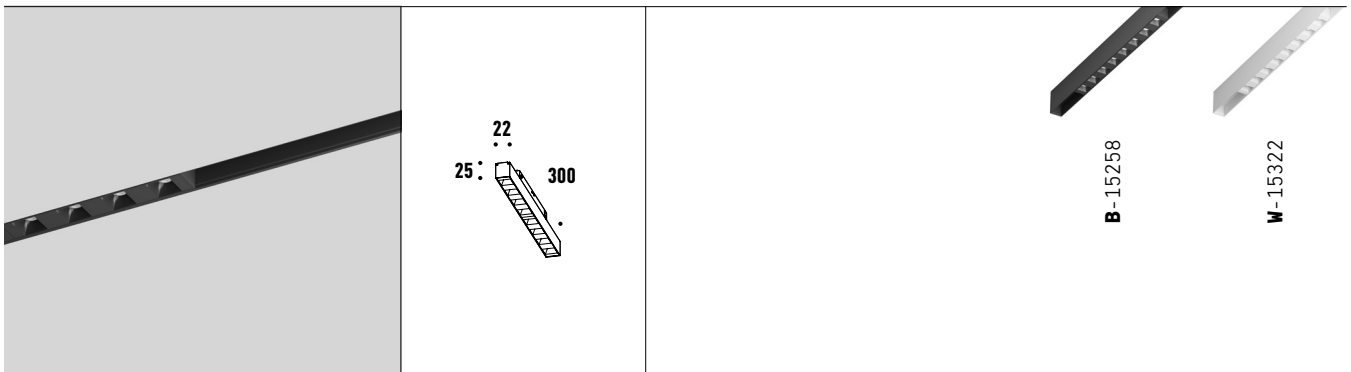
# DOTS

- Excellent optical control.
- Dark Light effect.
- Integration with Low Voltage.
- DALI version available.
- CRI 90.





### OPTIONS

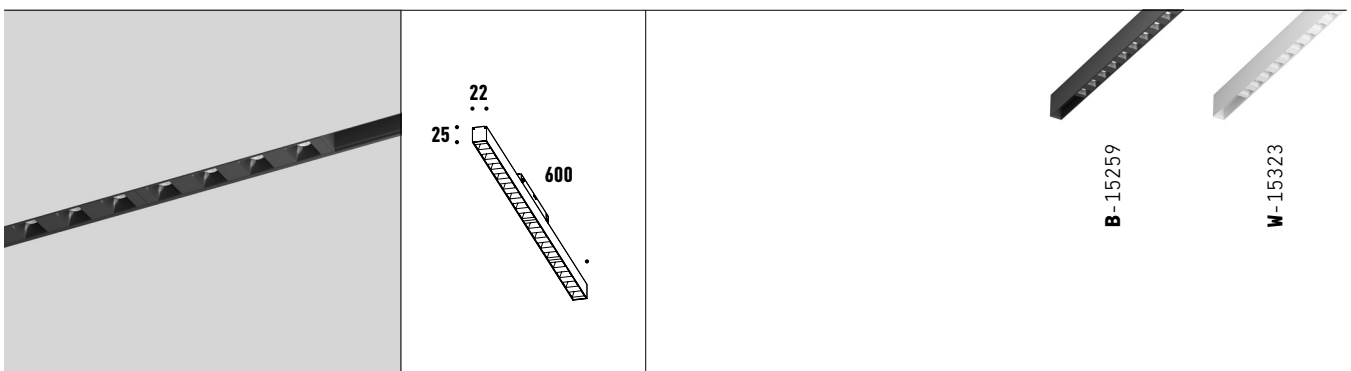


### DOTS 30cm

| lm   | K    | W  | Control | Lens |
|------|------|----|---------|------|
| 1320 | 3000 | 14 | On-Off  | 24°  |

#### Dimming

|        |       |
|--------|-------|
| 0-10V* | 15278 |
| DALI*  | 15279 |



### DOTS 60cm

| lm   | K    | W  | Control | Lens |
|------|------|----|---------|------|
| 1955 | 3000 | 20 | On-Off  | 24°  |

#### Dimming

|        |       |
|--------|-------|
| 0-10V* | 15278 |
| DALI*  | 15279 |

\* not included

**HEADQUARTER**

Hatnufa 7 St.  
9342207 Jerusalem  
Israel

**LOGISTIC CENTER**

Tsela ha-Har St. 47  
7178127 Modein  
Israel

T +972 (2) 6727811/2

F +972 (2) 6727813

office@clight-led.com  
export@clight-led.com

**Clight**

by **Cabasso Group**