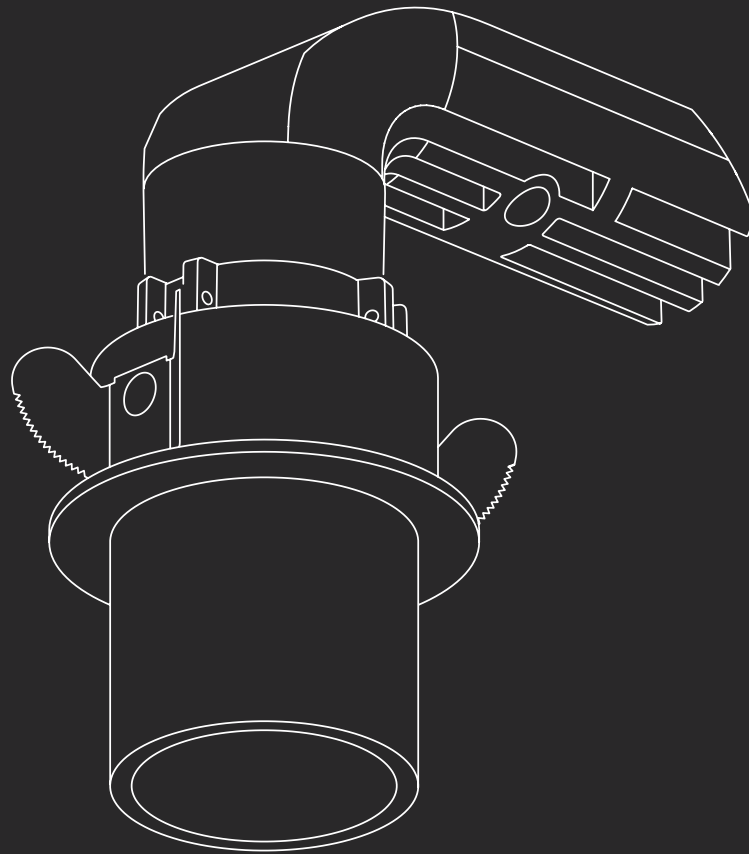


DOTTA SYSTEM / CONE



Clight

CONE


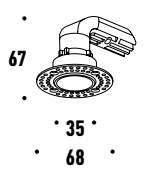



- Excellent optical control.
- Interchangeable lenses.
- Wide range of accessories.
- Integration with Low Voltage.
- Dimming version available.
- CRI 90.



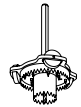

Cohen Alon Architecture


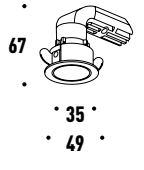





OPTIONS



		 W-15204  B-15205  G-15365
--	--	--

CONE 9W

<table border="1"> <thead> <tr> <th>lm</th> <th>K</th> <th>W</th> <th>Cut-out (mm)</th> <th>Control</th> <th>Lens</th> </tr> </thead> <tbody> <tr> <td>560</td> <td>3000</td> <td>9</td> <td>Ø 39 x Ø 85</td> <td>On-Off</td> <td>30°</td> </tr> </tbody> </table>	lm	K	W	Cut-out (mm)	Control	Lens	560	3000	9	Ø 39 x Ø 85	On-Off	30°	<p>Dimming</p> <hr/> <p>TRIAC* 15217</p> <hr/> <p>10°* 15216</p>	 <p>Tool Kit*</p> <p>152045</p>	 <p>Round Trimless*</p> <p>15210</p>
lm	K	W	Cut-out (mm)	Control	Lens										
560	3000	9	Ø 39 x Ø 85	On-Off	30°										

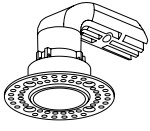
		 W-15204  B-15205  G-15365
---	---	--

CONE 9W (Trim)

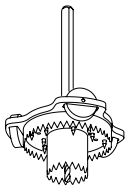
<table border="1"> <thead> <tr> <th>lm</th> <th>K</th> <th>W</th> <th>Cut-out (mm)</th> <th>Control</th> <th>Lens</th> </tr> </thead> <tbody> <tr> <td>560</td> <td>3000</td> <td>9</td> <td>Ø 44</td> <td>On-Off</td> <td>30°</td> </tr> </tbody> </table>	lm	K	W	Cut-out (mm)	Control	Lens	560	3000	9	Ø 44	On-Off	30°	<p>Dimming</p> <hr/> <p>TRIAC* 15217</p> <hr/> <p>10°* 15216</p>	 <p>Matt White*</p> <p>15211</p>	 <p>Matt Black*</p> <p>15367</p>
lm	K	W	Cut-out (mm)	Control	Lens										
560	3000	9	Ø 44	On-Off	30°										

* not included

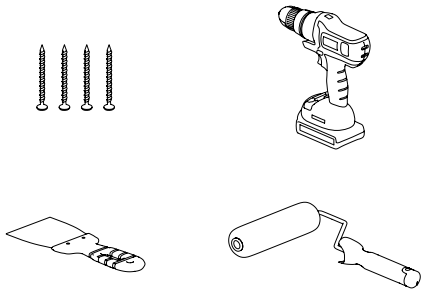
INSTALLATION



Lighting fixture & driver



Tool Kit

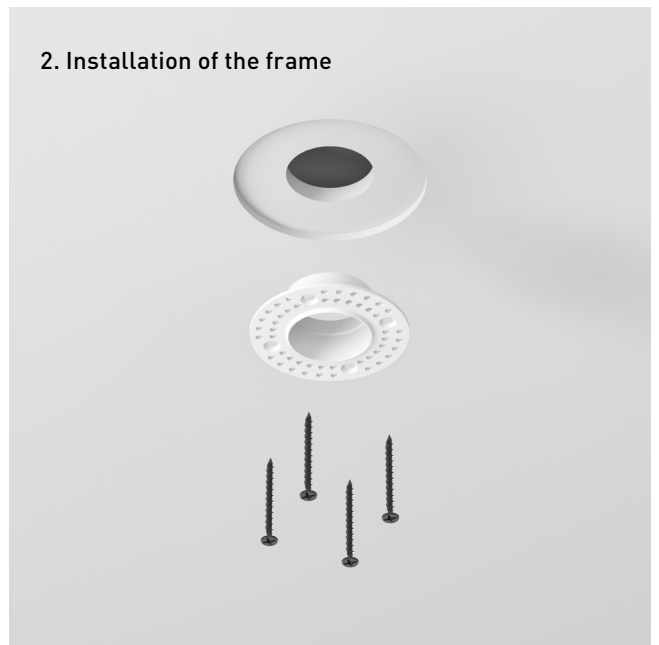


Installation is a simple process thanks to the innovative drill tool kit. Final finishing needs a minimum amount of plaster work.

1. Drilling the hole



2. Installation of the frame



3. Plastering & paint work



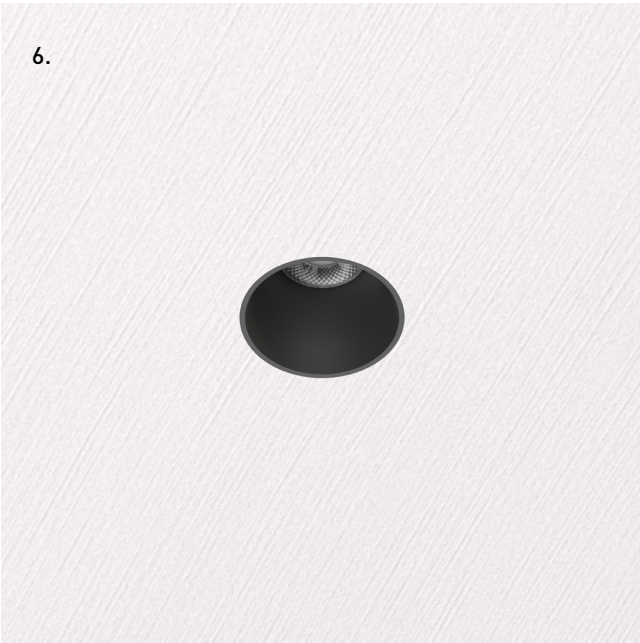
4. Positioning the power supply



5. Installation of the fixture

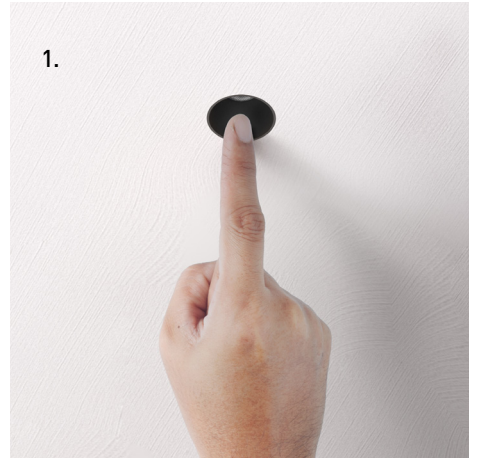


6.



MAINTENANCE

1.



2.



The power supply and the fixture can be removed at any time by simply pressing the fixture once and pulling the fixture.

HEADQUARTER

Hatnufa 7 St.
9342207 Jerusalem
Israel

LOGISTIC CENTER

Tsela ha-Har St. 47
7178127 Modein
Israel

T +972 (2) 6727811/2

F +972 (2) 6727813

office@clight-led.com
export@clight-led.com

Clight

by **Cabasso Group**