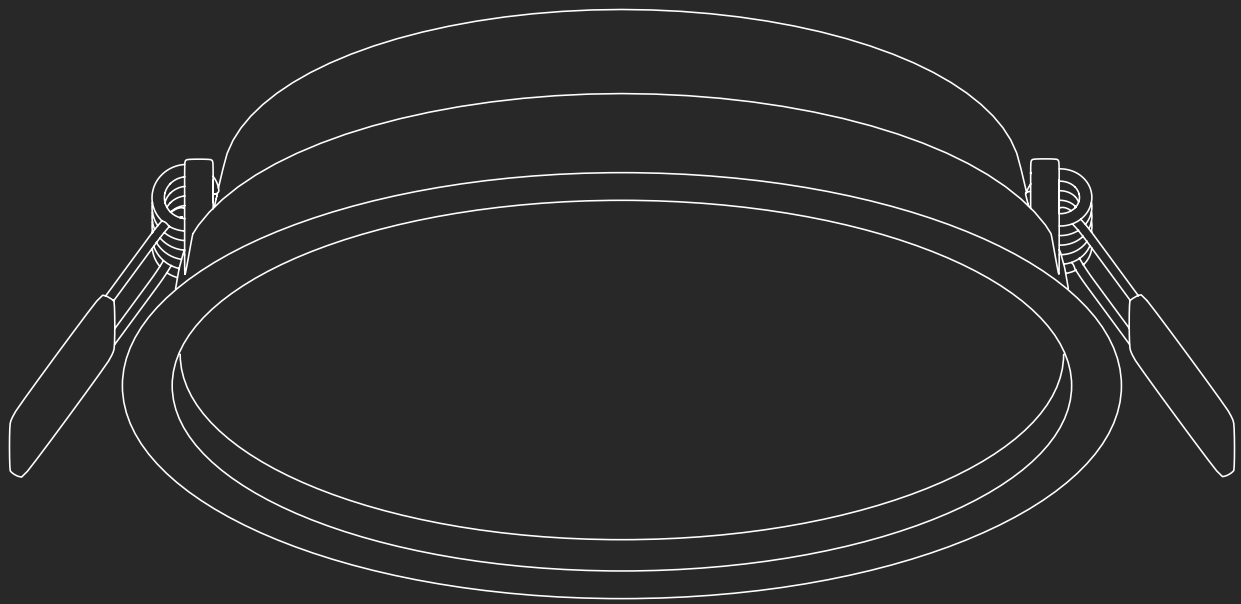
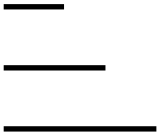


SMD DOWNLIGHTS / SELINE



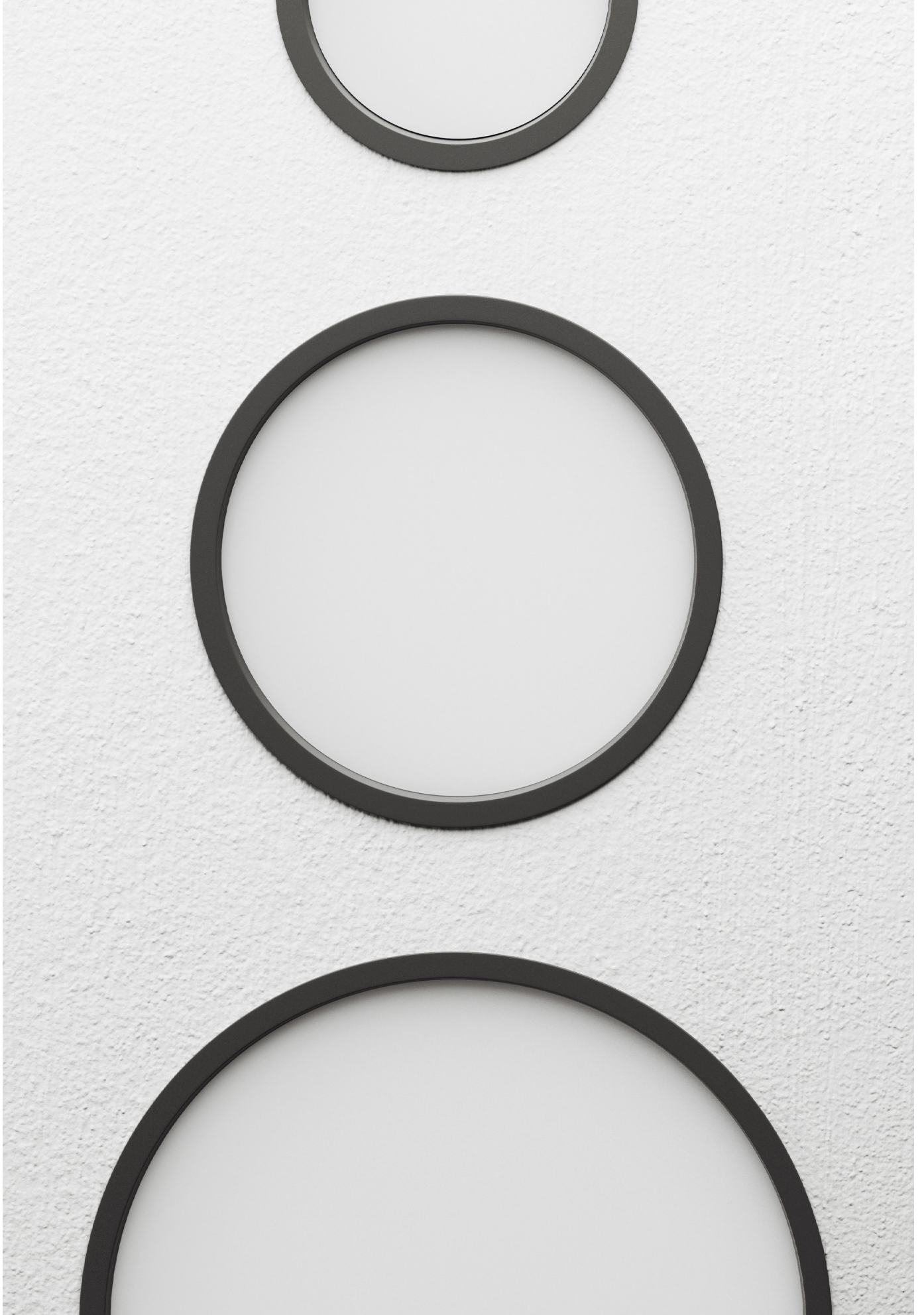
Clight

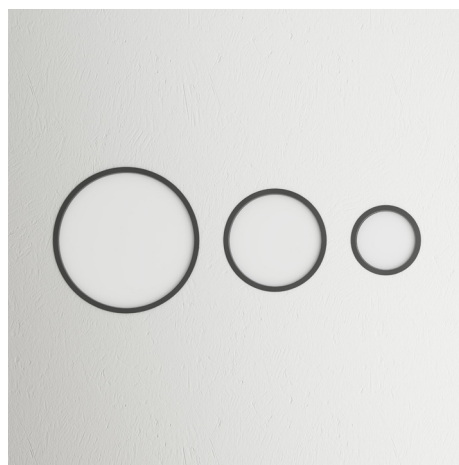
SELINE



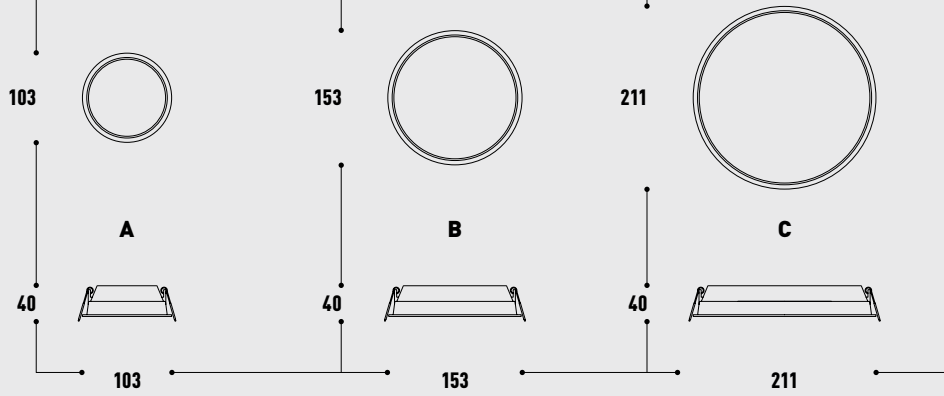
SMD Downlight

SELINE is a refined integrated led spot light, with a minimalist design frame. Built with SMD backlight, it is equipped with a high quality diffuser that spreads soft and warm light to the space. These downlights come in three sizes. Available in sandy white or black.

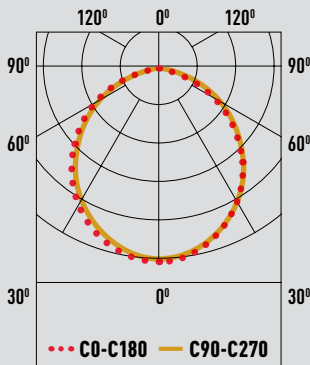




- High quality diffuser
- Integrated SMD backlight
- Aluminum body



LED	lm	K	W	INPUT mA	OPTIC	CUT OUT mm	Type	Colour	Item no.
SMD	980	3000	10	300	106°	98	A	White	15007
								Black	150077
SMD	1400	3000	16	300	106°	148	B	White	15008
								Black	150088
SMD	2250	3000	24	300	106°	206	C	White	15009
								Black	150099



DIAM	LUX	DIST
2.7 m	302 lx	1 m
2.7 m	514 lx	
2.7 m	825 lx	
5.3 m	75 lx	2 m
5.4 m	128 lx	
5.4 m	206 lx	
8.0 m	34 lx	3 m
8.2 m	57 lx	
8.0 m	92 lx	
10.6 m	19 lx	4 m
10.9 m	32 lx	
10.7 m	52 lx	



CARTON	Size	PCS	CBM	kg
	(L*W*H) cm			
A	43.5*28*35	60	0.042	13
B	54*38*34	40	0.069	13.2
C	52*33*46	24	0.078	9.8

HEADQUARTER

Hatnufa 7 St.
9342207 Jerusalem
Israel

LOGISTIC CENTER

Tsela ha-Har St. 47
7178127 Modein
Israel

T +972 (2) 6727811/2

F +972 (2) 6727813

office@clight-led.com
export@clight-led.com

Clight

by **Cabasso Group**