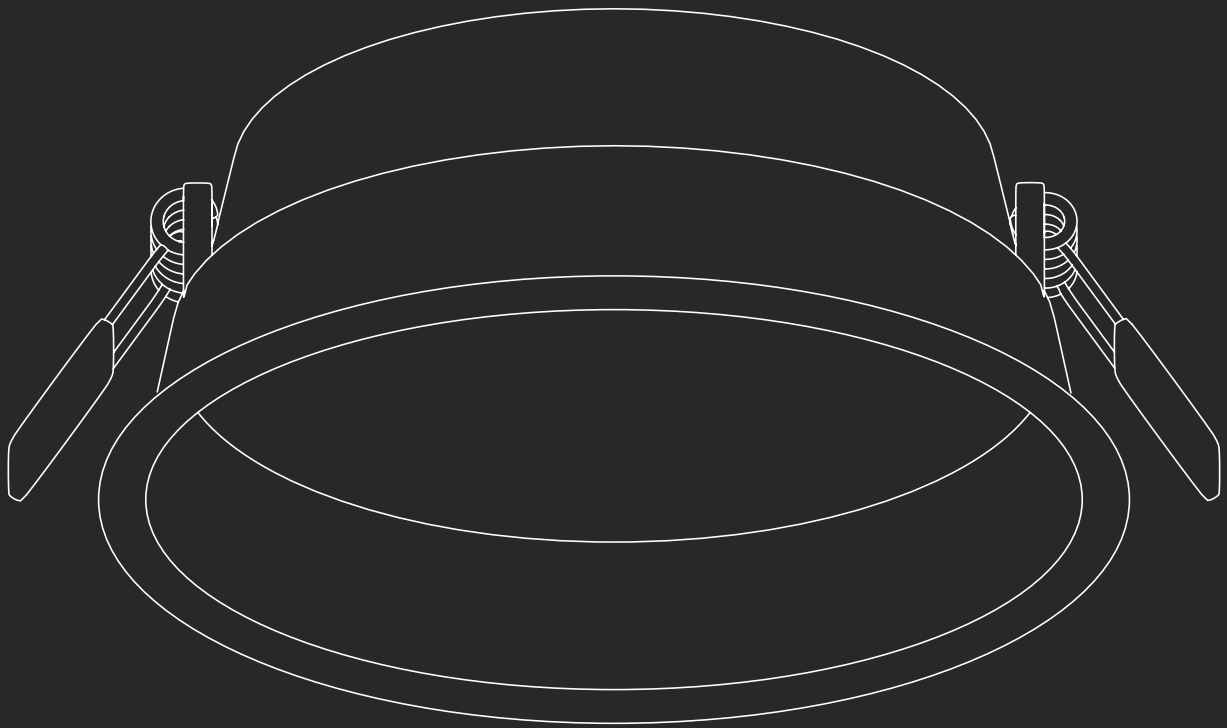
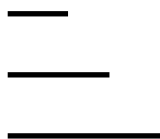


# SMD DOWNLIGHTS / BRIS



Clight

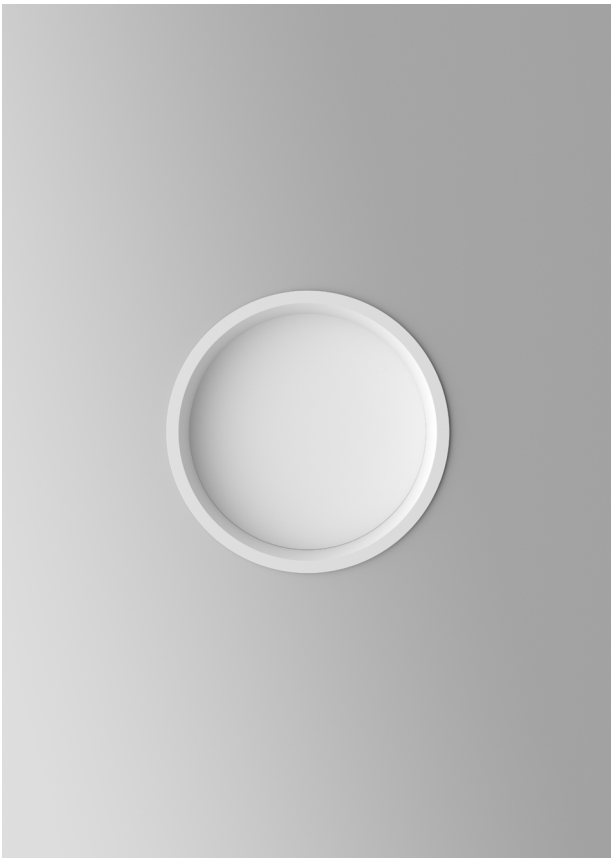
# BRIS



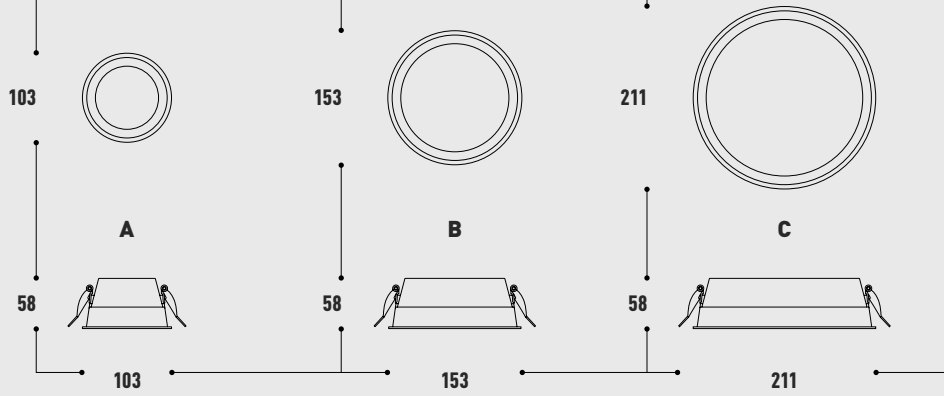
## SMD Downlight

BRIS is a recessed collection with SMD backlight. The product comes with a high quality diffuser that spreads soft and warm light to the space. The depth creates an anti glare effect. It is perfect for private interiors and public buildings. Three sizes to choose from.

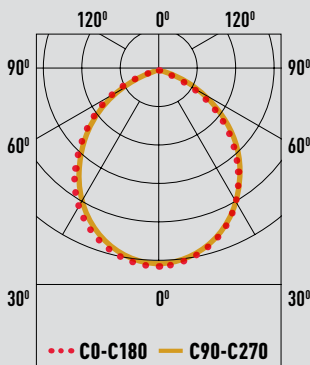




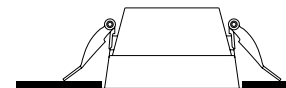
- High quality diffuser
- Integrated SMD backlight
- Aluminum body



LED	lm	K	W	INPUT mA	OPTIC	CUT OUT mm	Type	Colour	Item no.
SMD	940	3000	10	300	90°	98	A	White	15004
								Black	150044
SMD	1400	3000	16	300	100°	148	B	White	15005
								Black	150055
SMD	1870	3000	24	300	100°	206	C	White	15006
								Black	150066



DIAM	LUX	DIST	
2.0 m	349 lx	1 m	A B C
2.3 m	582 lx		
2.4 m	819 lx		
4.1 m	87 lx	2 m	
4.7 m	145 lx		
4.9 m	205 lx		
6.1 m	39 lx	3 m	
7.0 m	65 lx		
7.3 m	91 lx		
8.1 m	22 lx	4 m	
9.4 m	37 lx		
9.8 m	51 lx		



CARTON	Size	PCS	CBM	kg
	(L*W*H) cm			
A	63.5*28*35	60	0.062	14.4
B	64*38*34	40	0.082	18.8
C	50*38.5*46	24	0.088	15

**HEADQUARTER**

Hatnufa 7 St.  
9342207 Jerusalem  
Israel

**LOGISTIC CENTER**

Tsela ha-Har St. 47  
7178127 Modein  
Israel

T +972 (2) 6727811/2

F +972 (2) 6727813

office@clight-led.com  
export@clight-led.com

**Clight**

by **Cabasso Group**